

NTBA STANDARD 4B3T – ISDN NETWORK TERMINATION ELCONNECT®

SIMPLE

Plug&Play installation

FIELD-PROVEN

High quality and dependability

RELIABLE

Different levels for
overvoltage protection



THE PRODUCT

Network Terminating Unit for ISDN Basic Connections

As network terminating unit for ISDN basic connections, the NTBA enables the transition from the public ISDN subscriber line to the private S-bus. The interface allows the connection of ISDN communication systems, ISDN telephones and ISDN PC cards, offering subscribers access to all the services provided by their network operator.

For ISDN signaling, the system provides two 64 kbps bearer channels and a 16 kbps data channel (a signaling channel which can also serve for data transmission). Two simultaneous external calls are possible, as is channel bundling: the use of both bearer channels for the transfer of large amounts of data.

The NTBA Standard comes with a wall-mounted casing. Power for all internal functions is supplied either by the exchange via the U-interface, or locally.

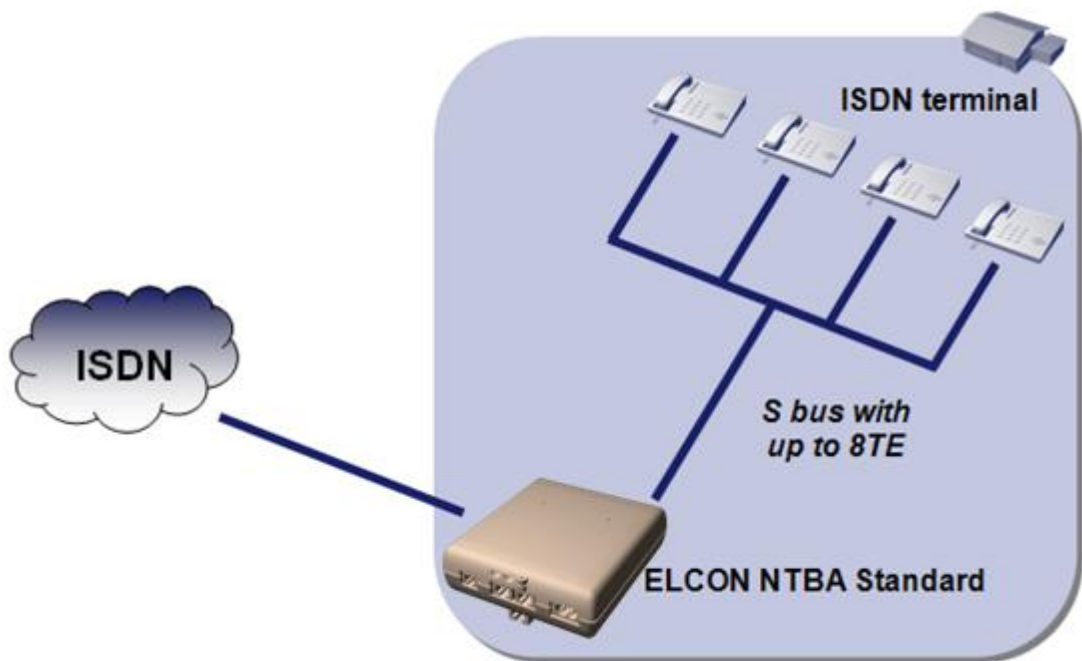
Advantages of the ELCON system

- Simple conversion to an ISDN connection by use of already deployed subscriber lines
- Quick configuration thanks to easily accessible DIP-switches
- Low susceptibility to interferences
- Small, compact housing
- Easy installation
- Highly economical, low power consumption



NTBA STANDARD 4B3T – ISDN NETWORK TERMINATION ELCONNECT®

APPLICATION



TECHNICAL DATA

U interface

- acc. to ETSI TS 102 080 guideline
- Echo cancellation for direction separation on a twin-wire subscriber line
- Line code 4B3T
- Operating range (if no noise signals occur):
 - 4.2 km using Ø 0.4 mm cable
 - 8.0 km using Ø 0.6 mm cable

S/T interface

- acc. to ETS 300 012 guideline
- Operating range:
 - max. 220 m (short passive bus)
 - max. 1100 m (point-to-point connection)

Power supply

- Nominal voltage: 230 V AC, 50 Hz
- Power consumption: 14 VA

Physical parameters

Casing dimensions

- 150 × 110 × 45 mm³ (W × H × D)

Ambient temperatures

- Transport/Storage: -25°C ... +55°C
- Operation: 0°C ... +55°C

EMC & Safety

- EMC: DIN EN 55022, ETSI EN 300 386, ETSI TS 201 468, 1TR9, ITU-T K.21/22
- Safety: DIN EN 60950

Note: All rights reserved. Subject to modifications due to technical progress. Errors and printing mistakes may occur.

PURCHASE ORDER INFORMATION

Product designation	Order number
NTBA Standard 4B3T	900011-049-FM