

# NTE8 – ISDN NETWORK TERMINATION ELCONNECT®

**SIMPLE**

Plug&Play installation

**FIELD-PROVEN**

High quality and dependability

**INDIVIDUAL**

Customer-specific  
housing and functions



## THE PRODUCT

### Network Terminating Unit for ISDN Basic Connections

As network terminating unit for ISDN basic connections, the NTE8 enables the transition from the public ISDN subscriber line to the private S-bus. The interface allows the connection of ISDN communication systems, ISDN telephones and ISDN PC cards, offering subscribers access to all the services provided by their network operator.

For ISDN signaling, the system provides two 64 kbps bearer channels and a 16 kbps data channel (a signaling channel which can also serve for data transmission). Two simultaneous external calls are possible.

The NTE8 is available in different variants: the basic NTE8D and the NTE8E which includes bypass functionality which allows plug-and-play installation.

Power for all internal functions is supplied by the exchange via the U interface.

A shelf for 19" rack installation is optionally available. Hereby 6 NTE8D or NTE8E can be installed per shelf.

### Variants of the S-bus

The NTE8 can be configured by means of DIP switches to meet subscribers' personal requirements. Depending on the settings, up to eight terminals can be connected, resulting in varying ranges. The NTE8 can be configured as follows:

1. Short passive bus  
In this case, a maximum of eight terminals can be connected to the NTE8.
2. Extended passive bus  
Up to four terminals can be operated on this type of bus with an extended operation range.
3. Point-to-point connection  
This enables the connection of an ISDN communications system to the NTE8. Direct-dialing into the connected ISDN PABX is possible.

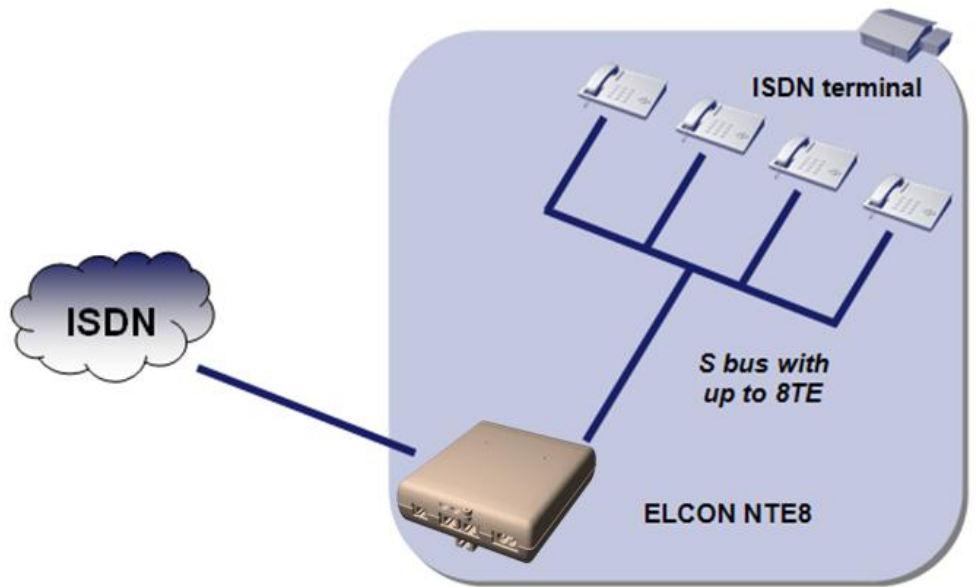
### Advantages of the ELCON system

- Simple conversion to an ISDN connection by use of already deployed subscriber lines
- Quick configuration thanks to easily accessible DIP-switches
- Low susceptibility to interferences
- Small, compact housing
- Easy installation
- Highly economical, low power consumption



# NTE8 – ISDN NETWORK TERMINATION ELCONNECT®

## APPLICATION



## TECHNICAL DATA

### U interface

- acc. to ETSI TS 102 080 guideline
- Echo cancellation for direction separation on a twin-wire subscriber line
- Line code 2B1Q
- Operating range (if no noise signals occur):
  - 4.8 km using Ø 0.4 mm cable
  - 9.0 km using Ø 0.6 mm cable

### S/T interface

- acc. to ETS 300 012 guideline
- Operating range:
  - max. 220 m (short passive bus)
  - max. 1100 m (point-to-point connection)

### Power supply

- acc. ITU-T I.430
- remote power feeding from exchange

### Physical parameters

#### Casing dimensions

- 130 × 110 × 45 mm<sup>3</sup> (W × H × D)

#### Ambient temperatures

- Transport/Storage: -25°C ... +55°C
- Operation: 0°C ... +55°C

### EMC & Safety

- EMC: DIN EN 55022, ETSI EN 300 386, ETSI TS 201 468
- Safety: DIN EN 60950

**Note:** All rights reserved. Subject to modifications due to technical progress. Errors and printing mistakes may occur.

## PURCHASE ORDER INFORMATION

Product designation	Order number
NTE8E	6648-044-BT
NTE8D	on request