

SUBRACK / WALL-MOUNTED CASING FOR NTBA PLUG-IN UNIT

ELCONNECT®

SIMPLE

Plug&Play installation

FIELD-PROVEN

High quality and dependability

VARIED

For assembly in 19"-racks or in metrical system racks
or for wall mounting

THE PRODUCT

Subrack for NTBA-plug-in unit

- for 14 NTBA-plug-in units
- for assembly in 19"-racks or in metrical system racks

Wall-mounted casing for NTBA plug-in unit

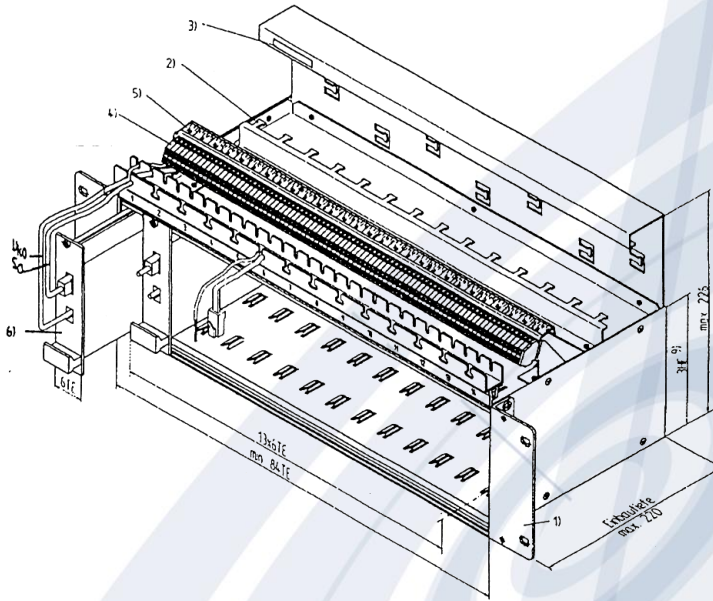
- for 8 NTBA plug-in units
- for wall mounting



SUBRACK / WALL-MOUNTED CASING FOR NTBA PLUG-IN UNIT

ELCONNECT®

VIEW OF SUBRACK

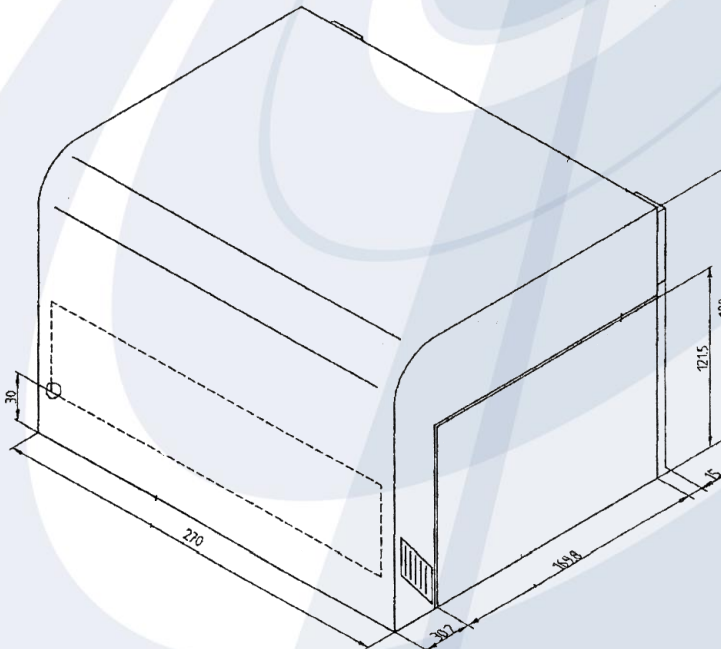


Legend

- 1) Change flange 19" / metric (acc. to ETS 300119 or DIN 41494)
- 2) Tension relief for incoming and outgoing cables
- 3) Name plate
- 4) Screwless clamps
UK0 - colour orange
S0 - colour grey
- 5) Pin assignment and slot number
- 6) NTBA plug-in unit

Mounting material included in delivery

VIEW OF WALL-MOUNTED CASING



Features

- Tension relief for incoming and outgoing cables
- Screwless clamps
UK0 - colour orange
S0 - colour grey
- Pin assignment and slot number

Mounting material included in delivery

Note: All rights reserved. Subject to modifications due to technical progress. Errors and printing mistakes may occur.

PURCHASE ORDER INFORMATION

Product designation	Order number
Subrack for NTBA-plug-in unit	4037
Wall-mounted cas. f. NTBA plug-in unit	4039