

ELCONNECT[®] *xpand*

NETWORK TERMINATING UNIT

NT10IPOS



Data sheet

LEGACY SERVICES

The Product

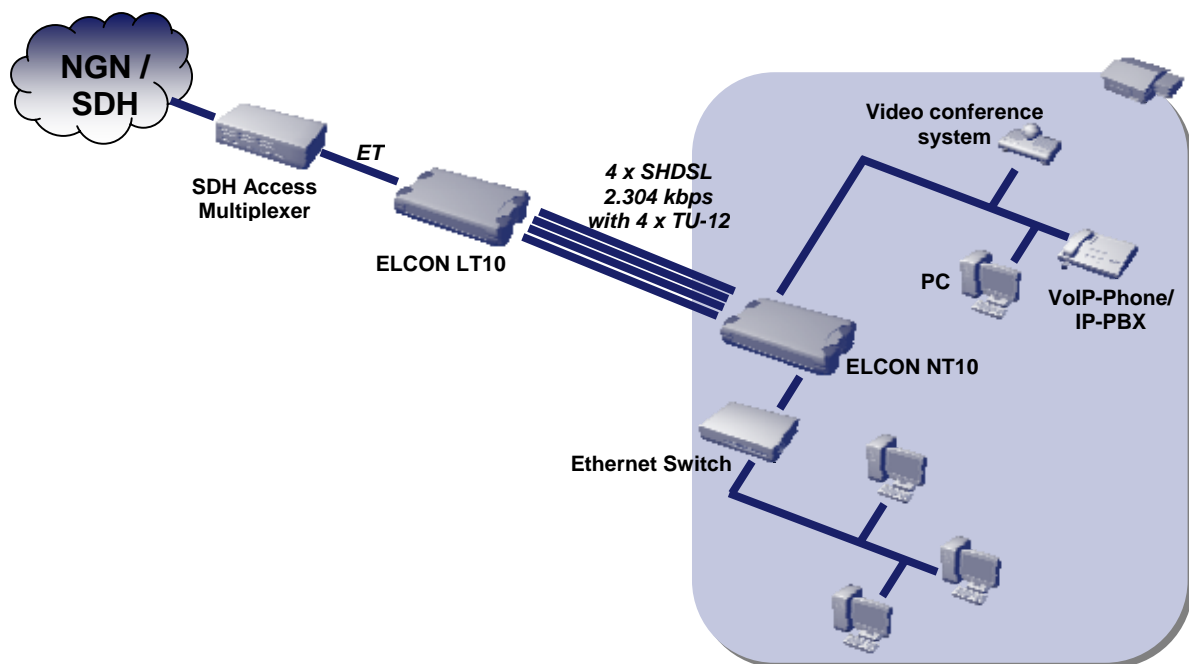
The new 4-fold SHDSL network terminating unit NT10IPOS allows both comfortable and tap-proof networking of distant company locations as point-to-point or point-to-multipoint fixed connections via the operator's existing SDH network, as well as the connection of a third-party Mux.

Using up to four twin-wire copper SHDSL transmission lines which offer data rates of 2.3 Mbps each, the device provides a total bandwidth of almost 10 Mbps when being exploited in point-to-point operation via two Ethernet ports with bridge functionality. Point-to-multipoint operation is possible using an SDH-Mux (with an Ethernet card in the SDH-Mux being the star point hereby).

The NT10IPOS makes it possible to interlink the complete network structure of at least two distant locations by forming one homogeneous network, without calling the user's attention to this or requesting him to start circumstantial dial-in-routines. When using an LT10IPOS, a stand-alone operation (e.g. under campus conditions) is possible, too.

The integrated switch function (optional performance feature), in addition, provides a comfortable tool to establish Virtual Local Networks (VLANs), to fully uncouple the individual local networks in the interest of advanced security standards.

Example of use



Special features

- Provision of fixed connections at data rates up to 10 Mbps
- Virtual network support (V-LAN) (optional feature)
- Support of VoIP using intelligent data packet prioritization techniques (optional feature)
- Optional remote control by connection with the network management system
- Local management through integrated Web server

Advantages of the ELCON system

- Superior degree of availability and security thanks to the transmission within the SDH network
- End-to-end line monitoring by means of operator's network management with VC-12 termination
- High symmetrical transmission bandwidth while using existing infrastructure (telephone access lines)

Technical data

Ethernet ports

- Standard: 2 × 10/100BaseT acc. to IEEE-802.3
- Bit rate: 2 × 10/100 Mbps
- Connectors: 2 × RJ45

Management interface

- Standard: 10/100BaseT acc. to IEEE-802.3
- Bit rate: 10 Mbps
- Connector: RJ45

SHDSL interface

- Standard: ITU-T G.991.2 Annex B; ETSI TS 101 524
- Bit rate: max. 4 × 2320 kbps
- Code: TC-PAM 16
- Connector: RJ45

Power supply

- Supply voltage: 230 V ~
- Frequency: 50 Hz
- Power consumption: < 10 W

Dimensions (W × D × H)

- 294 mm × 225 mm × 56 mm

Environmental conditions

- acc. to ETS 300 019
- Operation:
Air temperature: -5°C ... +55°C;
Rel. humidity: 5% ... 95%
- Storage:
Air temperature: -25°C ... +55°C;
Rel. humidity: 10% ... 100%
- Transport:
Air temperature: -25°C ... +70°C;
Rel. humidity: 60% ... 95%

EMC

- 1TR9,
- ITU-T K.21,
- ETSI EN 300 386,
- ETSI ES 201 468

Safety

- EN 60950

Purchase order information

ELCON Systemtechnik GmbH	
Product	Article number
designation	
NT10IPOS	900107

NOTE: All rights reserved.